



HP 2-Megapixel Webcam

Quick Start Guide

RZ406AA

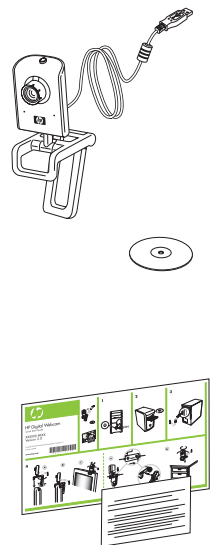
Copyright © 2006 Hewlett-Packard Development Company, L.P.
Printed in Korea

www.hp.com

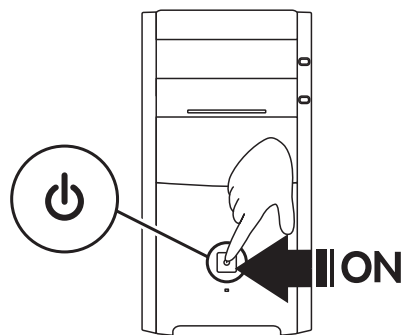
Version 1.0



Fold

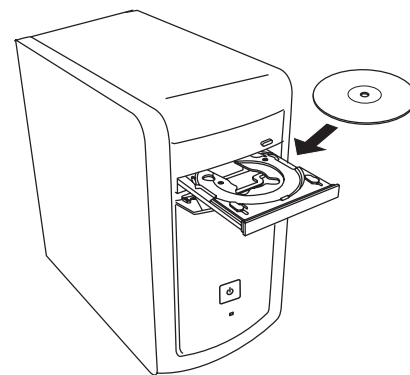


1

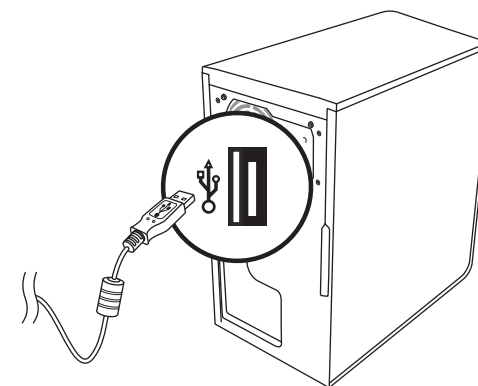


Fold

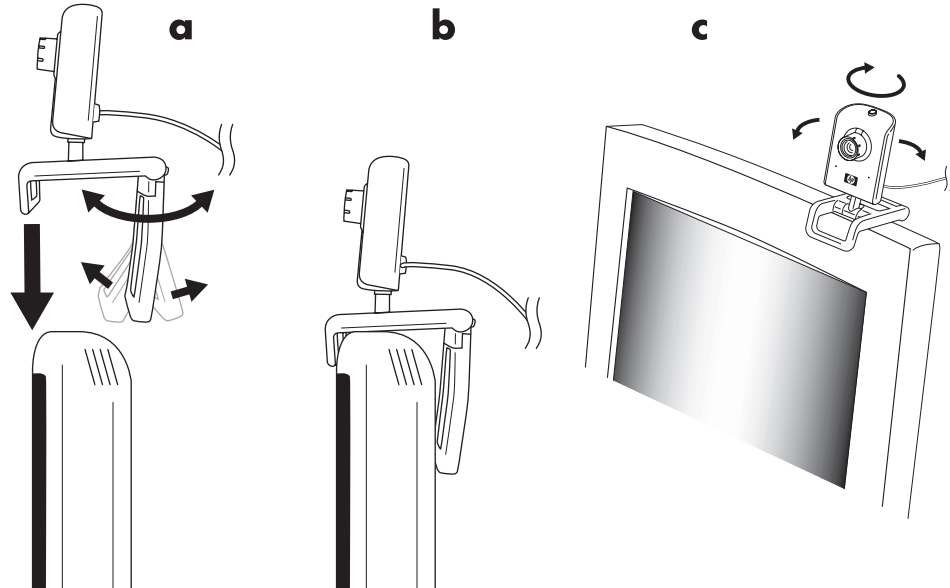
2



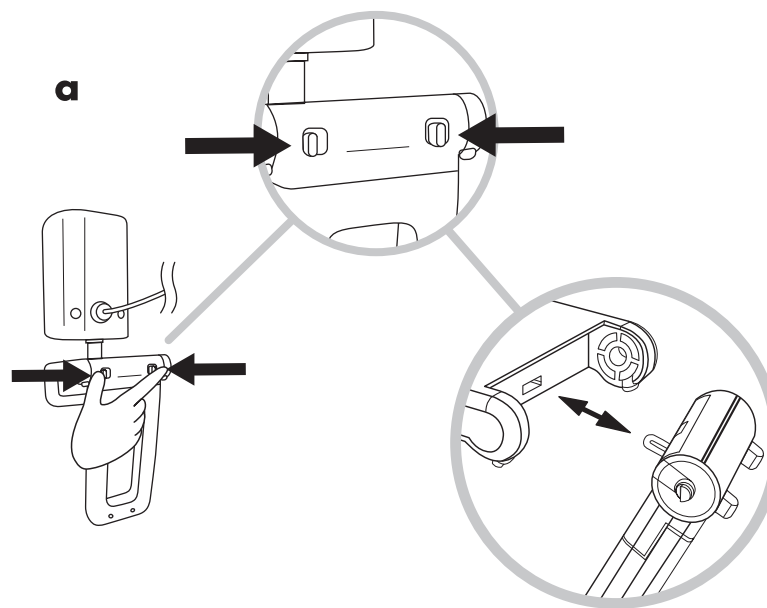
3



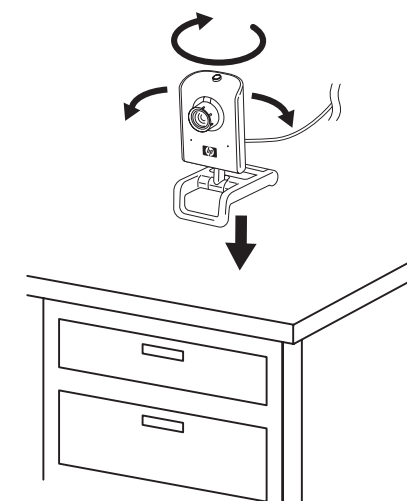
4



a



b



Fold

Fold

DECLARATION OF CONFORMITY

according to ISO/IEC 17050-1 and EN 17050-1

Supplier's Name: Hewlett-Packard Company

Supplier's Address: Hewlett-Packard Company
10955 Tantau Ave
Cupertino, CA. 95014

declares, that the product(s)

Product: WEB CAMERA
(HP 2-Megapixel Webcam)

Model Number(s): **RZ406AA#XXX, SCA0190**

conforms to the following Product Specifications:

EMC: EN 55022: 1998 +A1:2000 +A2:2003, Class B
EN 55024:+1998 +A1:2001 +A2:2003
CISPR 22

Supplementary Information:

The product herewith complies with the requirements of the Low Voltage Directive 73/23/EEC, the EMC Directive 89/336/EEC and the R&TTE Directive 1999/5/EC and carries the "CE Marking" accordingly.

This device complies with Part 15 of FCC rules. Operation is subject to the following two conditions: (1) this device may not cause harmful interference, and (2) this device must accept any interference received, including interference that may cause undesired operation.

Cupertino, CA. USA November 21, 2006

For regulatory compliance information only, contact:

Australia Contact: Product Regulations Manager, Hewlett-Packard Australia Pty Ltd., 31-41 Joseph Street, Blackburn, Victoria 3130
European Contact: Hewlett-Packard GmbH, HQ-TRE, Herrenberger Straße 140, 71034 Böblingen, Germany (FAX: +49-7031-14-3143).
North America Contact: Hardware Quality Eng. Manager, Hewlett-Packard, CPC, 10955 Tantau Ave., Cupertino, CA 95014.